

**TOOL JOINT:**

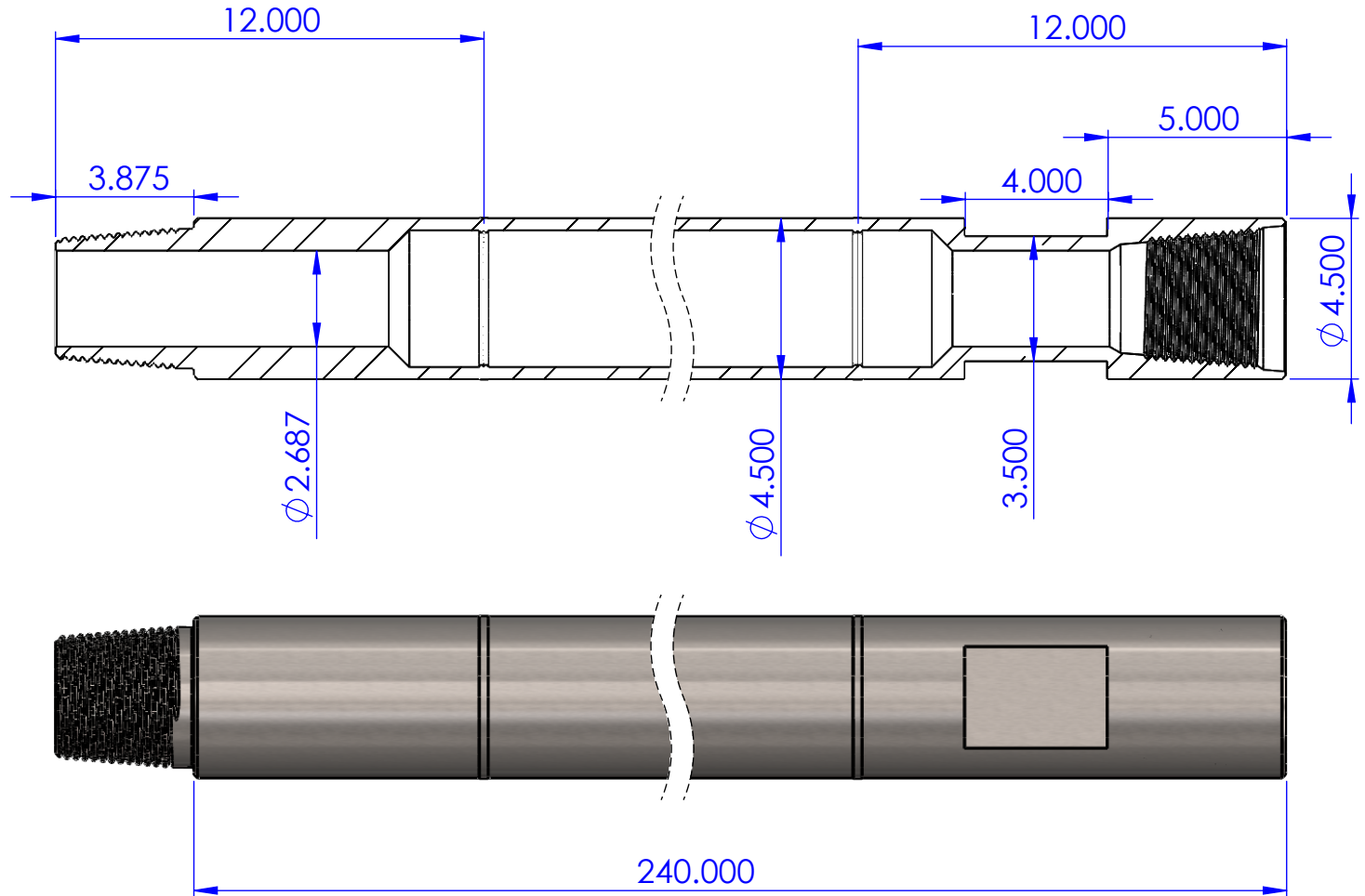
**3 1/2 IF**

**TYPE:  
Flush Joint**

**PIPE OD:  
4 1/2**

**WALL:  
.337**

**LENGTH:  
20 ft.**



### FOR CUSTOMER APPROVAL

PLEASE COMPLETE THE INFORMATION BELOW AND RETURN PROMPTLY. STANDARD MANUFACTURING TIME IS 4 WEEKS AFTER WE RECEIVE THE COMPLETED FORM. EXPEDITED DELIVERY MAY INCUR ADDITIONAL CHARGES.

**COMPANY NAME :** \_\_\_\_\_

**SIGNED :** \_\_\_\_\_

**QUANTITY :** \_\_\_\_\_ ( JOINTS )      **DATE :** \_\_\_\_/\_\_\_\_/\_\_\_\_

# HELANBAK

1481 Hwy 13 N  
Columbia Ms 39429  
PH: 601 736 6112

**TITLE: PIFFJF**

**DWG.#: 45004500337240**

**PROPRIETARY AND CONFIDENTIAL**

THE INFORMATION CONTAINED IN THIS DRAWING IS THE SOLE PROPERTY OF HELANBAK LLC. ANY REPRODUCTION IN PART OR AS A WHOLE WITHOUT THE WRITTEN PERMISSION OF HELANBAK LLC IS PROHIBITED.

**DRAWN BY:**

*Ricky Johnson*

Chief Design Engineer  
Helanbak LLC

**APPROVED BY:**

*R. Johnson*